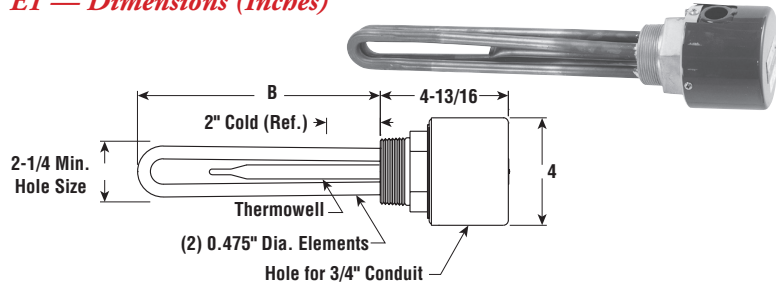


# Immersion

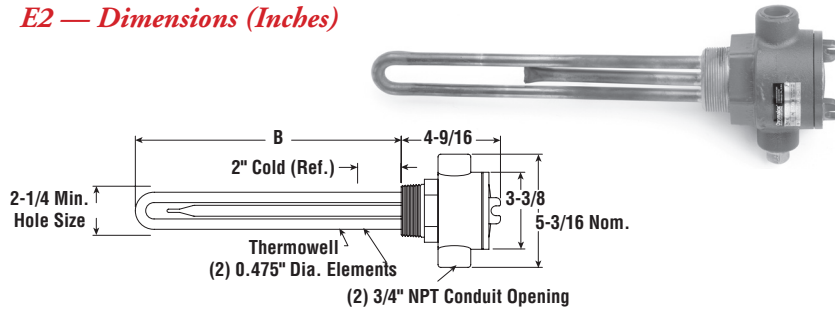
## MTO-2 Light Weight Oil Applications

- 2" NPT Steel Screw Plug
- Steel Sheath Elements
- 23 - 26 W/In<sup>2</sup>
- 1.5 - 6 kW
- Without Thermostat
- 120, 208, 240 and 480 Volt, Single Phase
- General Purpose, Moisture Resistant/Explosion Resistant Terminal Enclosure or Moisture Resistant

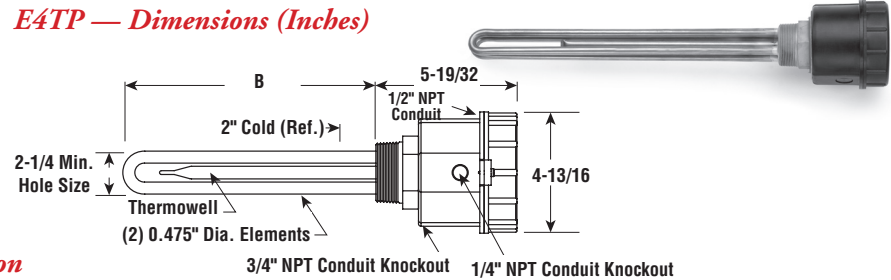
E1 — Dimensions (Inches)



E2 — Dimensions (Inches)



E4TP — Dimensions (Inches)



### Specifications and Ordering Information

						E1 General Purpose <sup>1</sup>				E2 Moisture Resistant/ Explosion Resistant <sup>2</sup>				E4 Moisture Resistant			
kW	Volts	Phase	W/In <sup>2</sup>	No. Elem.	DIM B (In.)	Model	Stock	PCN	Wt. (Lbs.)	Model	Stock	PCN	Wt. (Lbs.)	Model	Stock	PCN	Wt. (Lbs.)
1.5	120	1	24	2	11-3/4	MTO-215A	S	139740	3	MTO-215E2	NS	288518	6	MTO-215E4TP	NS	063028	9
1.5	240	1	24	2	11-3/4	MTO-215A	NS	139758	3	MTO-215E2	NS	288526	6	MTO-215E4TP	NS	063036	9
1.5	480	1	24	2	11-3/4	MTO-215A	S	139766	3	MTO-215E2	S	288534	6	MTO-215E4TP	NS	063044	9
1.5	208	1	24	2	11-3/4	MTO-215A	NS	323627	3	MTO-215E2	NS	323635	6	MTO-215E4TP	NS	063052	9
2	120	1	24	2	17-3/4	MTO-220A	NS	139774	4	MTO-220E2	NS	288542	7	MTO-220E4TP	NS	063060	10
2	240	1	24	2	17-3/4	MTO-220A	S	139782	4	MTO-220E2	NS	288550	7	MTO-220E4TP	NS	063079	10
2	480	1	24	2	17-3/4	MTO-220A	S	139790	4	MTO-220E2	S	288569	7	MTO-220E4TP	NS	063087	10
2	208	1	24	2	17-3/4	MTO-220A	NS	323643	4	MTO-220E2	NS	323651	7	MTO-220E4TP	NS	063095	10
2.5	120	1	26	2	19-5/8	MTO-225A	NS	139803	4	MTO-225E2	NS	288577	7	MTO-225E4TP	NS	063108	10
2.5	240	1	26	2	19-5/8	MTO-225A	S	139811	4	MTO-225E2	NS	288585	7	MTO-225E4TP	NS	063116	10
2.5	480	1	26	2	19-5/8	MTO-225A	S	139820	4	MTO-225E2	NS	288593	7	MTO-225E4TP	NS	063124	10
2.5	208	1	26	2	19-5/8	MTO-225A	NS	323660	4	MTO-225E2	NS	323678	7	MTO-225E4TP	NS	063132	10
3	120	1	23	2	24-7/8	MTO-230A	NS	139838	4	MTO-230E2	NS	288606	7	MTO-230E4TP	NS	063140	10
3	240	1	23	2	24-7/8	MTO-230A	S	139846	4	MTO-230E2	NS	288614	7	MTO-230E4TP	NS	063159	10
3	480	1	23	2	24-7/8	MTO-230A	S	139854	4	MTO-230E2	NS	288622	7	MTO-230E4TP	NS	063167	10
3	208	1	23	2	24-7/8	MTO-230A	NS	323686	4	MTO-230E2	NS	323694	7	MTO-230E4TP	NS	063175	10
4	120	1	23	2	32-3/4	MTO-240A	NS	139862	6	MTO-240E2	NS	288630	9	MTO-240E4TP	NS	063183	12
4	240	1	23	2	32-3/4	MTO-240A	S	139870	6	MTO-240E2	NS	288649	9	MTO-240E4TP	NS	063191	12
4	480	1	23	2	32-3/4	MTO-240A	S	139889	6	MTO-240E2	NS	288657	9	MTO-240E4TP	NS	063204	12
4	208	1	23	2	32-3/4	MTO-240A	NS	323707	6	MTO-240E2	NS	323715	9	MTO-240E4TP	NS	063212	12
5	120	1	23	2	40-1/4	MTO-250A	NS	139897	7	MTO-250E2	NS	288665	10	MTO-250E4TP	NS	063220	13
5	240	1	23	2	40-1/4	MTO-250A	S	139900	7	MTO-250E2	NS	288673	10	MTO-250E4TP	NS	063239	13
5	480	1	23	2	40-1/4	MTO-250A	S	139918	7	MTO-250E2	NS	288681	10	MTO-250E4TP	NS	063247	13
5	208	1	23	2	40-1/4	MTO-250A	NS	323723	7	MTO-250E2	NS	323731	10	MTO-250E4TP	NS	063255	13
6	240	1	23	2	47-3/4	MTO-260A	S	139926	7	MTO-260E2	NS	288690	10	MTO-260E4TP	NS	063263	13
6	480	1	23	2	47-3/4	MTO-260A	S	139934	7	MTO-260E2	NS	288702	10	MTO-260E4TP	NS	063271	13
6	208	1	23	2	47-3/4	MTO-260A	NS	323740	7	MTO-260E2	NS	323758	10	MTO-260E4TP	NS	063280	13

Stock Status: S = stock NS = non-stock  
To Order—Specify model, volts, phase, kW, PCN and quantity.

**FASTShip**

Same-day shipping on stock item orders received before 4 pm CST. 3-day shipping on assembly-stock items.